

a.



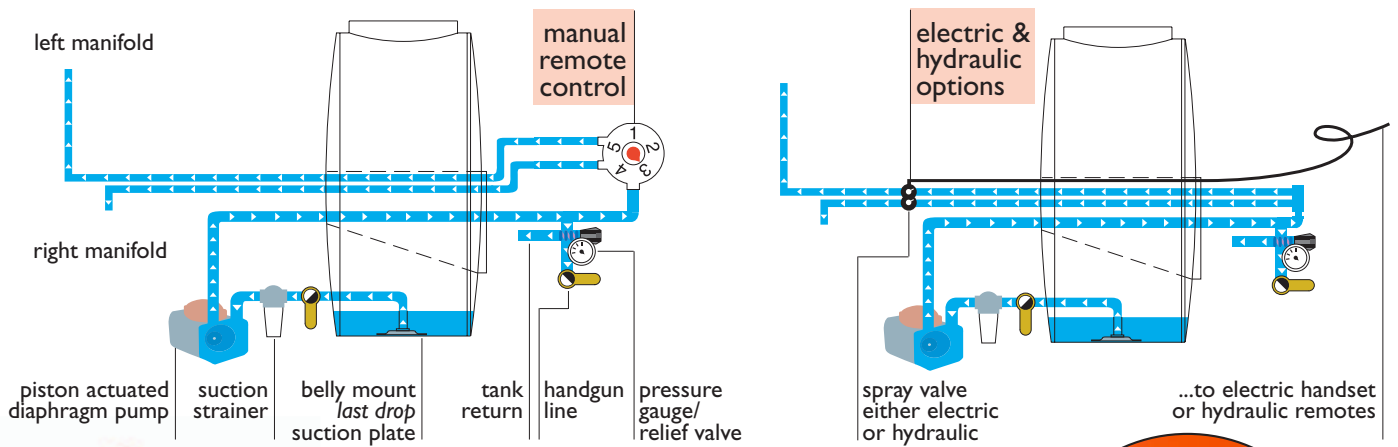
b.



c.

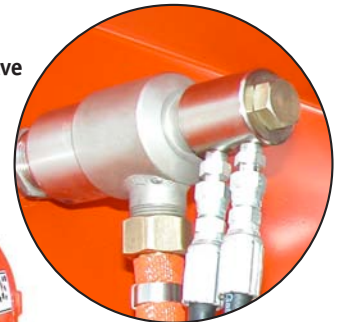
- a. 150 gallon unit with 28" fan.
- b. 100 gallon unit with 24" fan.
- c. 50 gallon unit with 24" fan

Unit durability is designed into the structure of the Pak-Blast: the frame is integrated with the heavy gauge stainless steel tank and fan housing for maximum structural integrity. This frame system, originally available as a *crawler kit*, is standard.

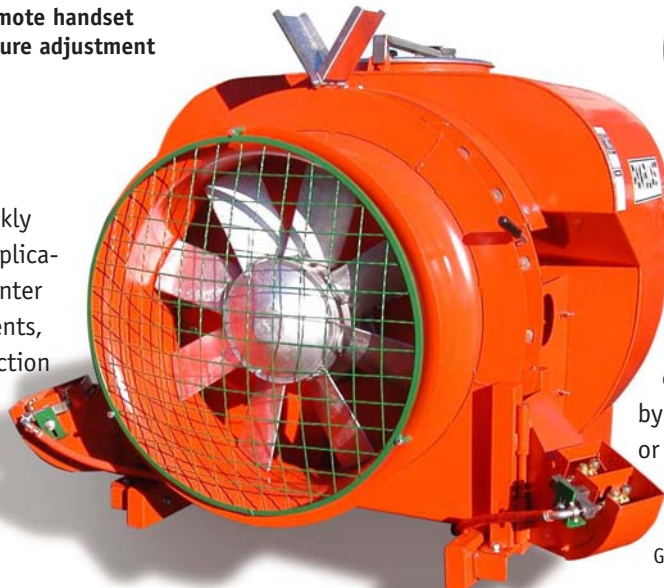


Manual remote handset with pressure adjustment

Hydraulic spray valve

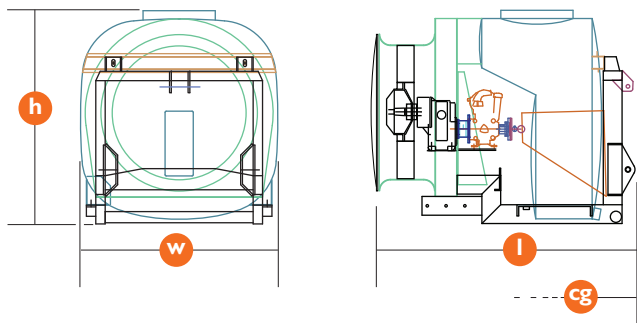


The pumping system can be quickly isolated and flushed between applications- and quickly drained for winter storage. The tank, tank components, mechanical agitation system, suction plumbing, fan housing, and manifolds are all constructed of stainless steel: Cleaning is a snap.



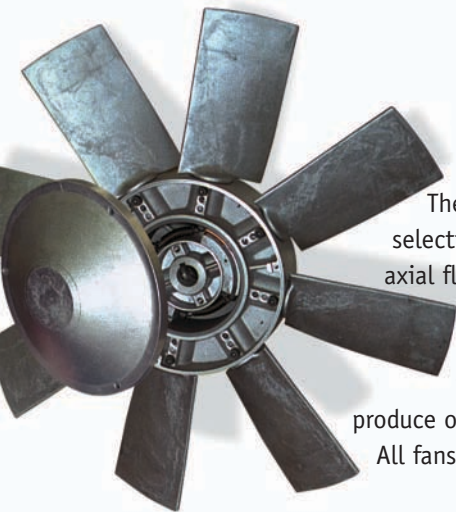
The plumbing of the Pak-blast was designed for ease of operation and maintenance. All sprayer functions are controlled from the seat of the tractor by a remote handset: manual, hydraulic, or electric. Left and right manifolds are controlled independently.

Grape scoop option, 150 gallon unit



volume gallons	w	h	l	weight empty	weight full water	cg
50	35"	43"	43"	400 lbs.	797 lbs.	10"
75	42"	45"	52"	780 lbs.	1376 lbs.	16"
100	42"	45"	54"	830 lbs.	1625 lbs.	18"
100 ^{NARROW}	38"	48"	57"	830 lbs.	1625 lbs.	18"
150	50"	46"	60"	900 lbs.	2092 lbs.	18"

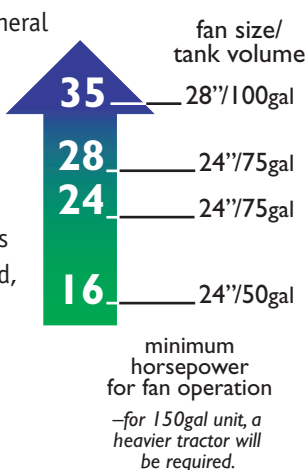
cg measures the distance from the 3-point mount pin to the center of gravity of the unit when full of water.



The Pak-Blast has a selection of aluminum alloy axial flow fans— 24"-28" diameter. The fan is fitted to the fan housing to produce optimal performance. All fans have variable pitch.

The Pak-Blast was designed to bring the benefits of a Rears machine to high density plantings and to efficiently use the available horsepower of modern compact tractors.

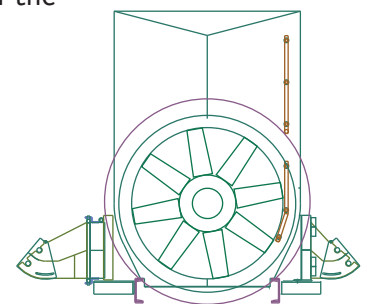
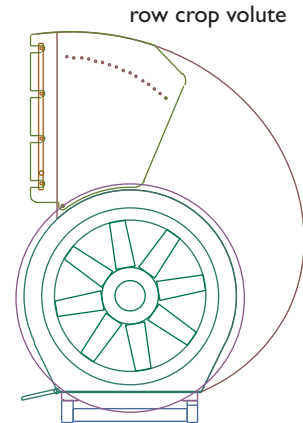
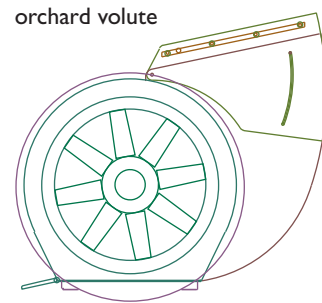
This chart, right, illustrates a general rule-of-thumb-starting-point for selecting the right fan size for your available tractor horsepower... but this chart does not consider your application needs. Rears offers a choice of fan styles to match your crop, ground speed, and planting density. Your Rears dealer can help find a match for your operation.



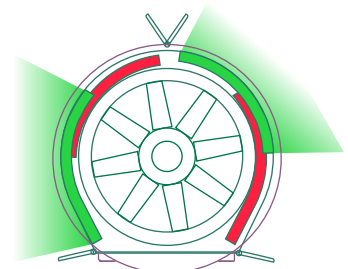
The Pak-Blast is an adaptation of Rears' airblast design and build quality for 3-point mount applications. By carving a mechanical compartment into the tank volume, Rears has successfully shifted the center of gravity toward the tractor lift arms: this is a performance tool that can be matched to even the most compact orchard tractor.

The standard pump, an Annovi Reverberi piston actuated diaphragm pump, delivers 550psi/11gpm as installed. Other pumps are available to match your application.

Many of Rears' air accessories are available for the Pak-Blast, illustrated in the column, right.



trellis fan housing with grape scoops
14" scoop, left; 7", right



split manifolds for steep terrace
Alternate left/right hillside spraying or switch to flat-land application

For crawlers and applications where uneven ground causes rocking action, wheels can dampen the effect.

100 gal, 24" fan, trellis fan housing, wheels

If you need help with any Rears agricultural product, or have an application question, one of our dealers will be happy to help. We have collected a nationwide network of the most helpful and outgoing agricultural professionals in the business who want nothing but to help you do your job more easily. If you don't have a dealer in your area, call our offices in Oregon:

1 800 547 8925

rears manufacturing company. eugene. oregon.

REARS

