

6' upright OMF



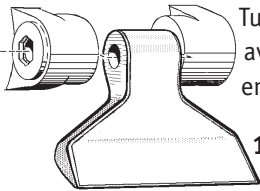
6' low profile fixed 3-point OMF

1 3/8" plate inner housing. 3/16" plate skin.

Low housing profile sweeps branches away from flail mouth for low impact passage beneath high density plantings.

2 OM750HF dual purpose shredding and mowing hammer: cast in the US, through hardened, with hardfaced wide cut edge.

Tungsten carbide hardfacing available for high abrasion environments.



1-1/2" thick hammer 3 mount pads, profiled to allow the hammer to swing freely.

Hammers are mounted in a spiral pattern to conserve horsepower consumption.

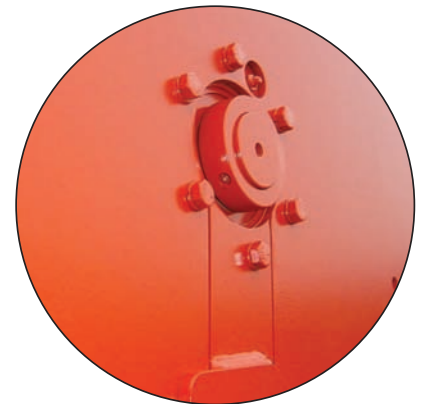
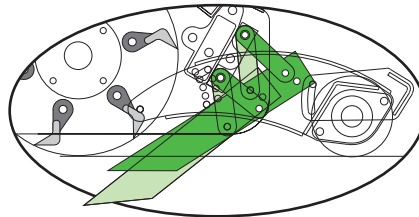
4 Flail housing is lined with shear teeth: at operating speed each hammer passes the teeth 40 times a second.

Switch between **OM750HF** hammers or **FL930** shredding knives. Knives are formed alloy steel, heat treated, hard surfaced and reversible for long edge life. 4', 6', 8' swaths require more blade assemblies for proper coverage.



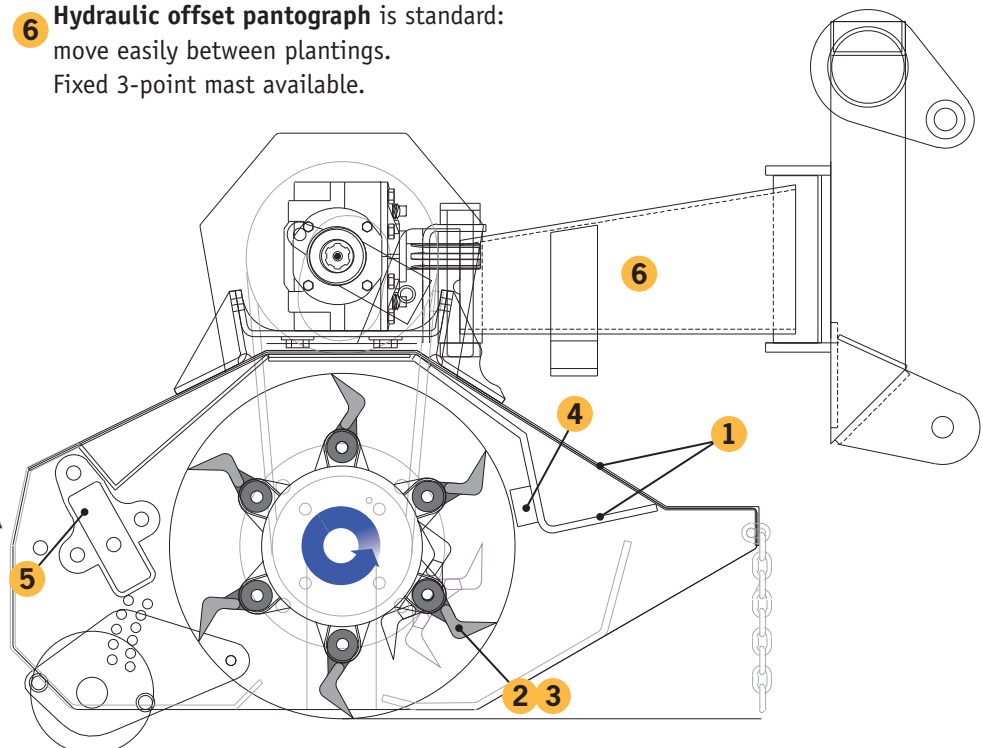
5 3-position recycling door: close for heavy shredding to trap wood chips in the blade path; open when mowing.

Floating rakes available to comb uneven ground and lift prunings into blade path.



Narrow models shave 5" from overall width with a narrow rotor bearing assembly and thinner belt housing.

6 Hydraulic offset pantograph is standard: move easily between plantings. Fixed 3-point mast available.

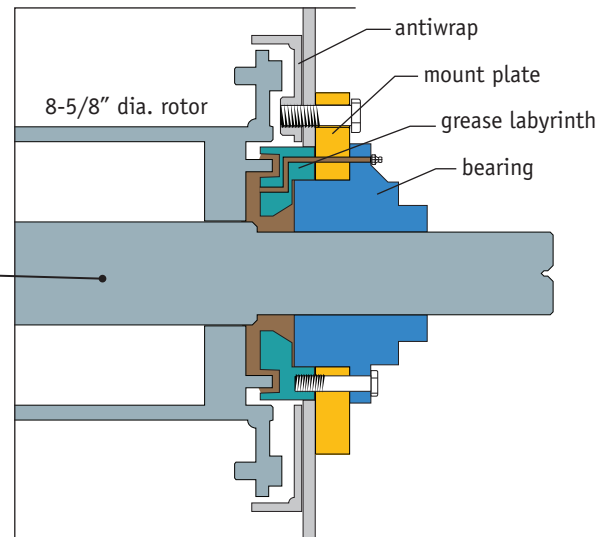


750 Series	upright profile		low profile	
Available swath	4' - 9'		4' - 9'	
Overall width	Standard + 15"	Narrow + 10"	Standard + 15"	Narrow + 10"
3-point mount	Cat I & II with floating top link mount standard Quickhitch optional			
Pantograph offset by swath width	Standard	Narrow	Standard	Narrow
other swaths available hydraulic standard manual actuation optional	60 (-4)-18"	54 (-10)-12"	60 (-6)-12"	60 (-9)-9"
	72 2-24"	62 (-6)-16"	72 0-18"	62 (-8)-10"
	84 2-24"	74 0-22"	84 0-18"	74 0-18"
	96 2-24"	84 2-24"	96 0-18"	84 0-18"
	108 2-24"	108 2-24"	108 0-18"	108 0-18"
Cut height	0" - 4 ¹ / ₂ " set with gauge roller			
PTO speed	540 RPM standard, 1000 RPM optional			
Gearbox	Ratio ^{540RPM} 1:3.1 Input 1.375" 6 spline Output 1.375" 6 spline		Ratio ^{540RPM} 1:3.1 Input 1.375" 6 spline Output 1.375" 6 spline	
Belt drive	4/5VX notched Powerband		4/5VX notched Powerband	
Belt tensioner	Quick draw tensioner with indicator spring: rotate draw bolt to quickly adjust center distance between drive sheave and rotor sheave.			
PTO drive	Shielded, low friction rolled spline shaft ASAE Cat.6 U-Joints		Shielded, low friction rolled spline shaft ASAE Cat.6 U-Joints	
Roller bearing	Triple seal bearing in piloted steel housing with antiwrap. Pilot housing joints with machined slot in height adjustment plate to bear flail weight. Optional oil bath roller bearing			
Roller	6 ⁵ / ₈ " diameter roller 1 ³ / ₄ " diameter roller shaft		6 ⁵ / ₈ " diameter roller 1 ³ / ₄ " diameter roller shaft	
Rotor bearing	2.44" double spherical roller bearing Renewable grease labyrinth protection and antiwrap Narrow units: 2.44" double spherical roller bearing Internal mount housing			
Rotor construction	8 ⁵ / ₈ " diameter mandrel, .50" wall 2.44" dia. rotor shaft, 1045 carbon steel Bolt-on rotor stub shafts optional			
Rotor speed	540RPM tractor 2233RPM 1000RPM tractor 2225RPM			
Rotor pad, bolt	1 ¹ / ₂ " rotor pad with ³ / ₄ " bore, grade 9 mount bolt			
Blades	OM750 hammer, tungsten carbide hardfacing optional FL930 knife*			
Housing	3 ⁸ / ₁₆ " plate inner housing, 3 ¹ / ₁₆ " plate skin			
Shear bar	Fixed tooth shear bar		Fixed tooth shear bar	
Skid shoes**	retreadable		retreadable	
Debris guard	Chain guard standard, belt guards available			
Rear recycling door	3 position door		3 position door	
Rakes	Floating rakes available		Floating rakes available	
Flail housing height	19 ¹ / ₄ "		19 ¹ / ₁₆ "	
Belt housing height	31"		25 ⁵ / ₈ "	
Weight	6' 2087lbs +/- 155lbs/ft +blades		6' 2194lbs +/- 155lbs/ft +blades	

* 4', 6', 8' rotors require more blade assemblies for proper coverage
** not available on narrow machines



Push-Pull system for front mount or rear mount operation. Set up, above, for Push operation.



6' low profile OMF



Oil Bath Roller
see your dealer about this low maintenance option- product sheet available.



For more information,
or the location of your nearest dealer,
please call **800.547.8925**

rears manufacturing company inc. eugene, oregon

www.rearsmfg.com

REARS