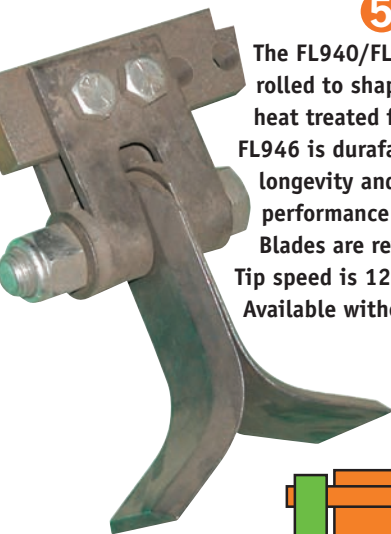
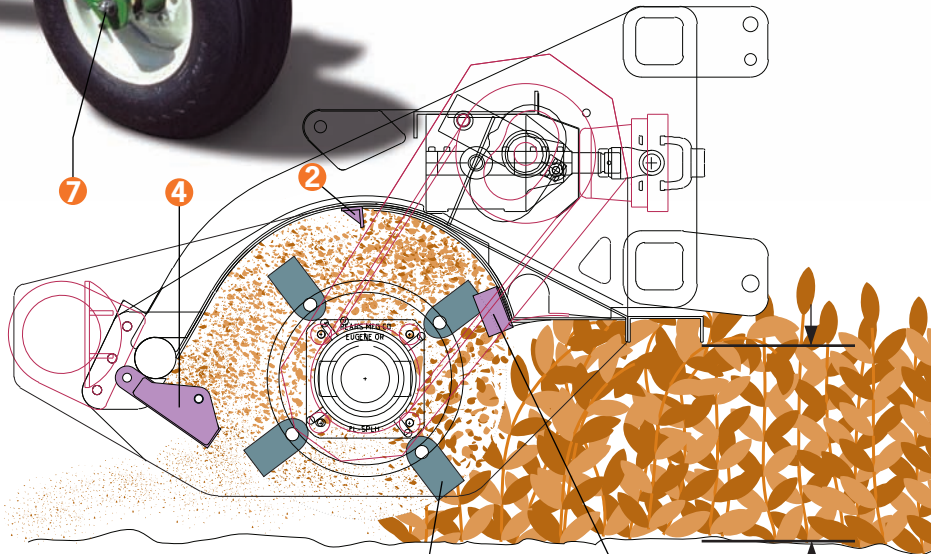




1 Large mouth for ease of feeding. When cut height is zero, the feed opening is 17-1/4" with chain debris guard in place. Cut height is adjusted with a hydraulic cylinder.

234

Design the best field composting machine for your crop and available horsepower. All Rears choppers utilize a swath width angle shear bar (2) mounted to the inner flail housing in the blade path. Each blade passes the shear bar 35 times a second at 2100 RPM. The 800 series chopper also has a row of stationary interference teeth (3) for increased shred quality. Matched to the blade pattern, the knives pass between the teeth. A 2-position rear recycling door (4) can be installed to recycle cuttings within the housing, increase shred quality and speed field composting of discharged material.



5 The FL940/FL946 crop chop knife is rolled to shape from alloy steel and heat treated for long edge life. The FL946 is durafaced, extending knife longevity and delivering excellent performance for the dollar. Blades are reversible. Tip speed is 12500FPM. Available without durafacing, FL940.

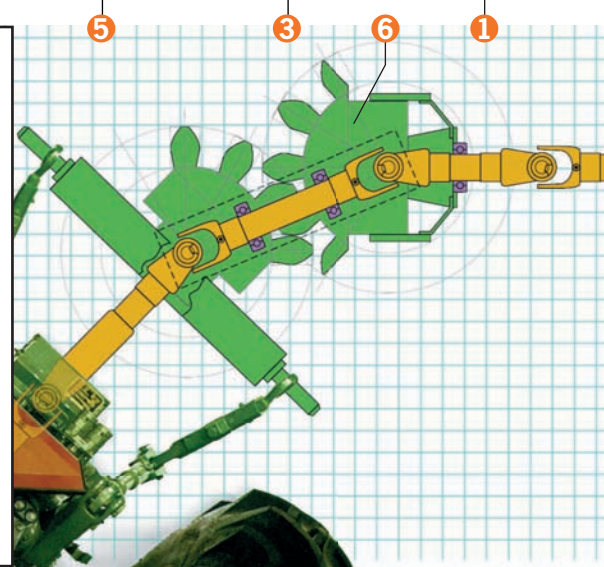
6

Rears Pul-Chopper utilizes our Constant Velocity Hitch for superior tracking: keep on running through 90° turns.

- Telescoping driveline eliminated protects tractor PTO
- Utilizes the tractor 3-point hitch removes the requirement to establish a hitch pin center point

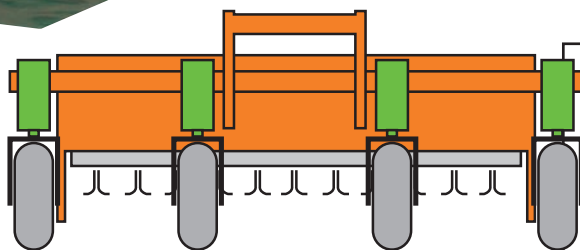
Rears built and field tested for more than 30 years.

Other hitch systems available



7

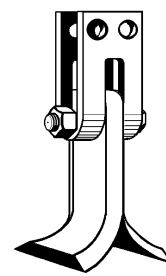
The unique casters on Rears Pak-Chopper provide optimal maneuverability for a 3-point mount system: your tractor's turning radius is uncompromised. 180° and 360° caster options. Extended axle available, illustrated above, to allow caster placement outside of flail housing to match row crop beds.



800 Series	Pak-Chopper	Pul-Chopper
Available swath	14' - 24'	14' - 24'
Overall width	+ 24"	+ 24"
3-point mount	Cat III or IIIN Free-link or Quick Hitch, standard Other options available	Cat II or III Free-link or Quick Hitch Other options available
Constant Velocity Hitch*		Heavy Plate Construction 1.25" heat treated pivot bushings 1.5" 17 spline heat treated 1045 drive shafts 55 series U-joints
Cut height	Call with your requirements	
PTO speed	1000 RPM	1000 RPM
Gearbox	1:1.35 Input Shaft Output Shaft	1000 RPM 1.75" 20 spline 1.75" 20 spline
Gearbox cooling fan	Included	
Belt drive	Dual Drive 6/5VP 800 Aramid/6 groove	
Belt tensioner	800 series Auto-Tensioner	
PTO drive	Shielded, low friction rolled spline shaft 55 series U-Joints 77 series Overrunning clutch with overload protect	Shielded, low friction rolled spline shaft 55 series drive train** 55 series U-Joints 55 series Overrunning clutch**
Casters	4qty 180° or 360° casters 9.5L x 15 tires standard	
Struts	4qty 9.5L x 15 tires	4qty 9.5L x 15 tires standard, other options available
Rotor bearing	2.44" double spherical roller bearing Rears grease labyrinth protection Lubrication points outside belt housing	
Rotor construction	8-5/8" diameter mandrel 2.44" dia. rotor shaft, 1045 carbon steel	
Rotor speed	1720 - 2000 RPM crop dependent	
Center bearing	13' - 22' units Narrow double spherical roller bearing Center-swath placement, standard: call for options	
Housing	Double wall 3/16" plate	
Debris guard	Chain guard standard, additional belt guards available	
Field Compost Package	Recycling door	Optional 2 position recycling door traps cuttings
	Angle shear bar	Standard internal mount shear angle, width of swath
	Shear channel	Standard shear channel with hardfaced teeth

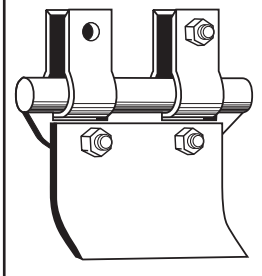
* other hitch systems available

** 77 series drive train upgrade available



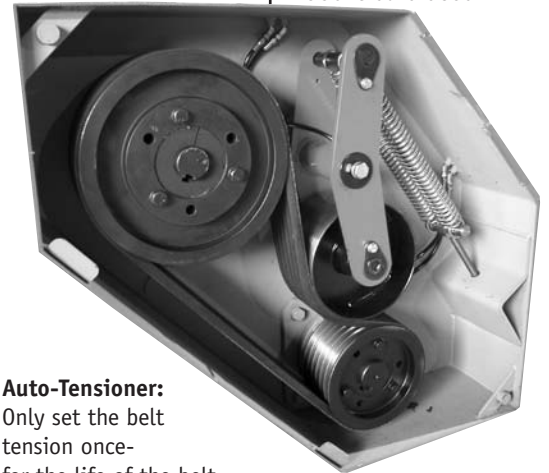
FL940/946

Crop/chop knife
Reversible
4 or 6 assy/ft
FL946 is durafaced



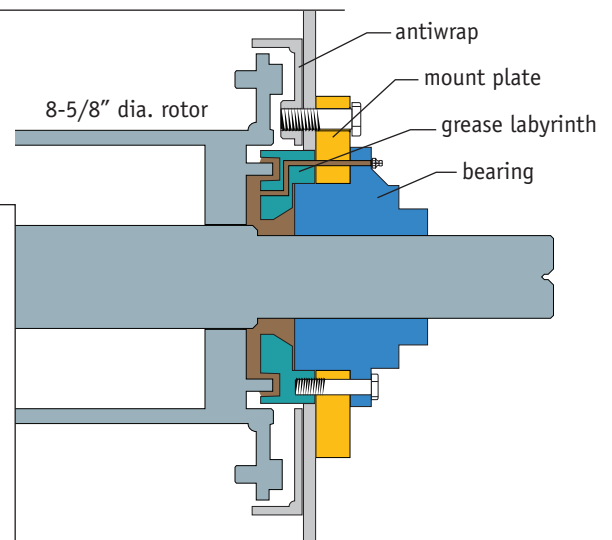
FL950/953

Scalping blade
4 assemblies/ft
High suction design for material lift
FL953 is durafaced



Auto-Tensioner:

Only set the belt tension once-
for the life of the belt



For more information,
or the location of your nearest dealer,
please call 800.547.8925

rears manufacturing company inc. eugene, oregon

REARS