



TRELLIS-BOOM

SPRAY NURSERIES, GRAPES, CANE BERRIES . . .

Standard Trellis-Boom:

The vertical booms are 44 inches in length, with 3 nozzles on 20 inch spacings (Other boom lengths and nozzle spacings are available).

Adjustable Nozzles:

The upper and lower swivel nozzles (5540-1/4TT), provide a range of adjustment to maximize coverage.

Accommodates row widths to 8.5 feet:

Spacing between booms is fully adjustable from a close 10 inches to a wide 68 inches.

Accommodates various row heights:

Vertical booms can be raised or lowered a full thirty (30) inches.

Swing-away (and back) Hinges:

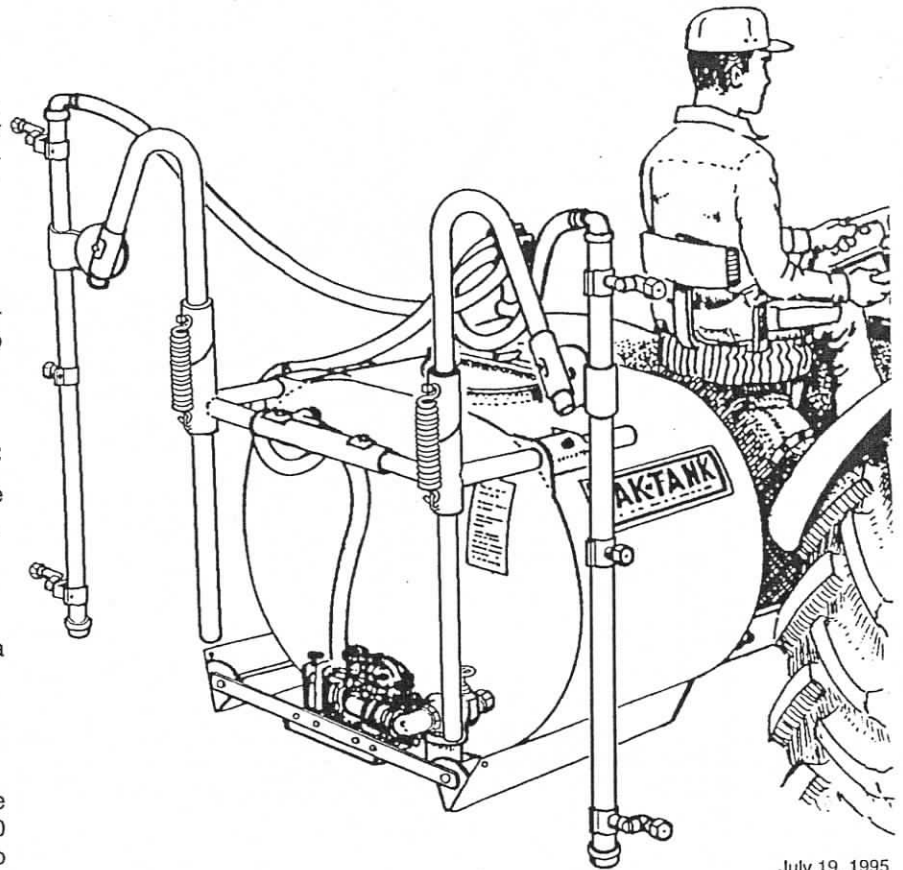
To prevent, or minimize, boom damage brushing an unforeseen obstruction, the 180 degree, spring loaded, hinge allows boom to fold-away and return back on line.

Unitized Assembly:

Attaches, removes, stores easily as a unit. No loose parts to lose, ready to go.

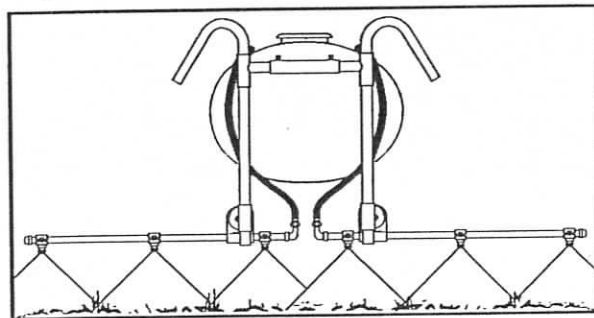
Spray Control:

Manual 17D TeeValve operates booms separately or together. Instant ON/OFF. Pressures to 300psi. Option: 0-500psi+ Braglia Control Valve with or w/o regulator.

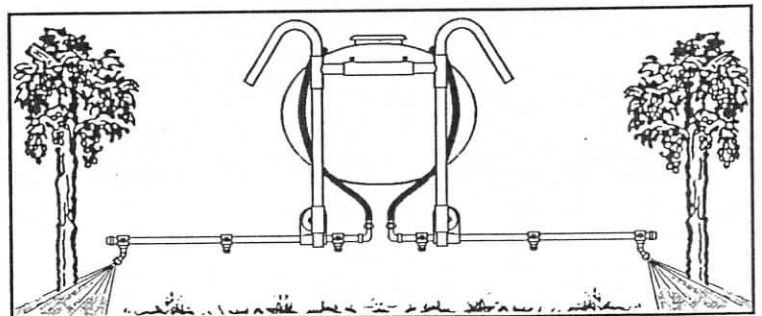


July 19, 1995

Your Local Dealer:

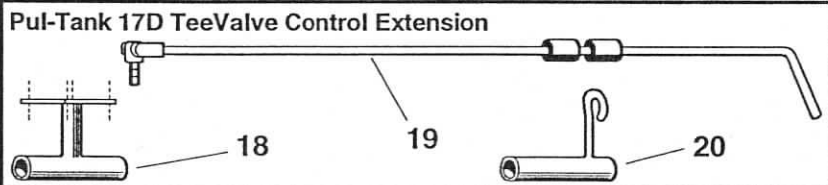
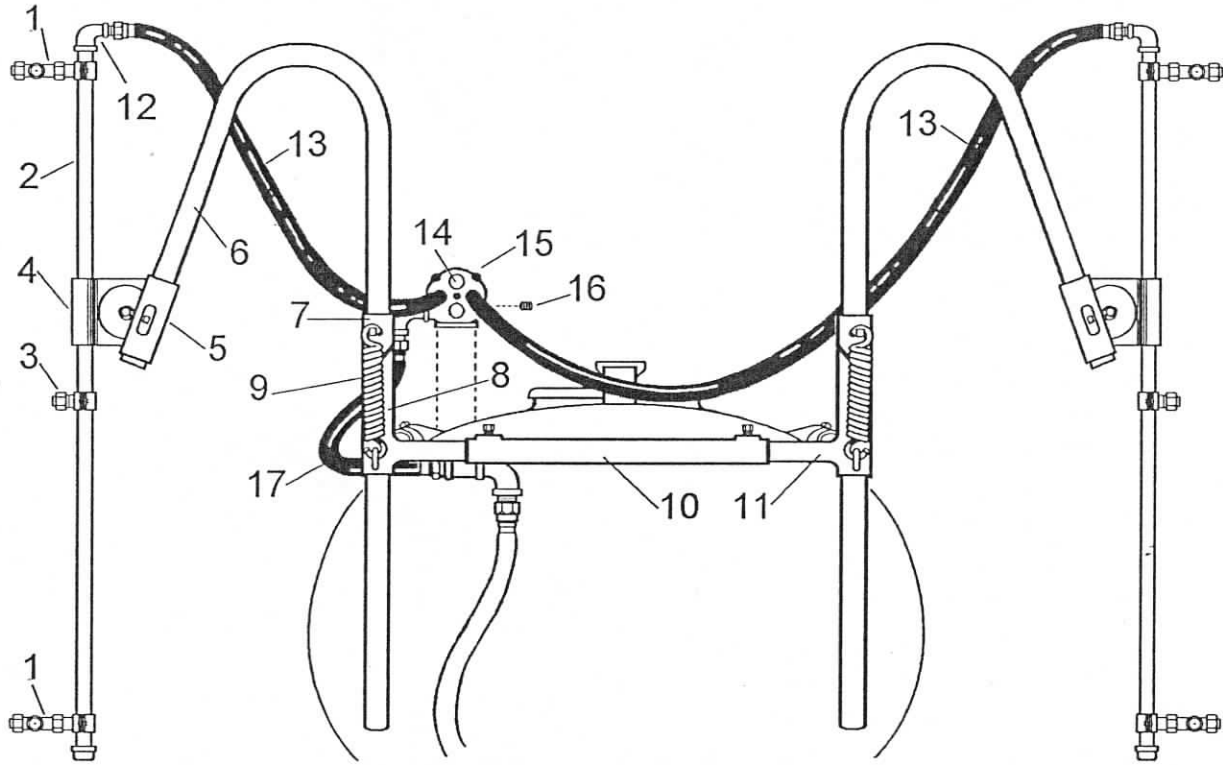


Converts in minutes to an effective weed boom.



Plug four nozzles and spray for basal weed control in trellis crops.

TRELLIS BOOM PARTS:



Optional Braglia Control Valve, fender mounted: Specify hose lengths from preferred tractor mount point to booms/pump hookup.

BR175 - Flow Divider
BR170 - Flow Divider w/Regulator

Braglia Control Valves

TRELLIS BOOM PARTS			
Item	Part No.	Description	Req
1	5540-1/4TT	Nozzle, Single Swivel	4
	4193A-10-50	Check Valve/Screen Strainer	4
	8004	Tip, Brass	4
2	TB10	Pipe, Aluminum Boom (drilled & Thrded)	2
3	7421-1/4T	Nozzle Body Assembly with Split Eyelet	2
	4193A-10-50	Check Valve/Screen Strainer	2
	8004	Tip, Brass	2
4	BF-13	Swivel, Boom Hanger	2
5	BF4N	Socket, Hinge Swivel, w/1/2x3/8 set screw	2
	BF-11	Clamp, Boom Hanger w/1/2"nut & Washer	2
6	TB12	Vertical Support, Hinge Socket	2
7	TB14	Socket, Beveled Positioning	2
8	TB16A	Support, Boom Hinge Mt (1/2"M)	1

TRELLIS BOOM PARTS			
Item	Part No.	Description	Req
9	TB15	Spring, 180 degree Hinge	2
10	3SB5	Socket, Adjustable	1
11	TB16	Support, Boom Hinge Mt (1/2"M)	1
12	NYEL075075	Elbow 3/4X3/4	2
13	TB-24	Hose, 3/8x90" (3/4mpt x 3/4fght)	2
14	FGHCAP-B	Cap, fght, brass	1
15	17	TeeValve 3/4 npt inlet (Pul-Tank)	1
	17CH	TeeValve 3/4 npt inlet (Pul-Tank)	
16	PLG050	Plug, 1/2"	1
17	TB-25	Hose, 3/8x36" (1/2mpt x 3/4fght)	1
18	PL82	Bracket, Pul-Tank 17D TeeValve Mt.	1
19	PL83	Rod, Pul-Tank 17D TeeValve Extension	1
20	PL84	Bracket, Pul-Tank Extension Support	1