



# engine drive powerblast single fan iT4

## standard equipment

All stainless steel construction: tank, mechanical agitation, blower housing, axial flow fan blades, air scoops, access doors, hood, cowl.

4045T Deere Powertech® iT4 engine with electric throttle control and safety shutdown system- oil pressure, water temp.

Full instrumentation in the cab- ammeter, tachometer, oil pressure, water temperature, hourmeter, air filter service indicator.

Electric cab controls: fan clutch, pump clutch, LH/RH spray controls, return to basket dump valve, pressure regulating valve, engine throttle, emergency engine shutdown.

Choose a fan to match your application: 33" diameter, 38" diameter, 38" diameter with high power blade pitch

Rears RPA centrifugal pump: 200psi, 50gpm

Double rollover nozzle bodies with diaphragm check valves. All ceramic spray tips.

Adjustable height axle with heavy duty 8x8 hub assemblies: ground clearance range listed with tire selection.

Adjustable length clevis hitch with swivel mount.

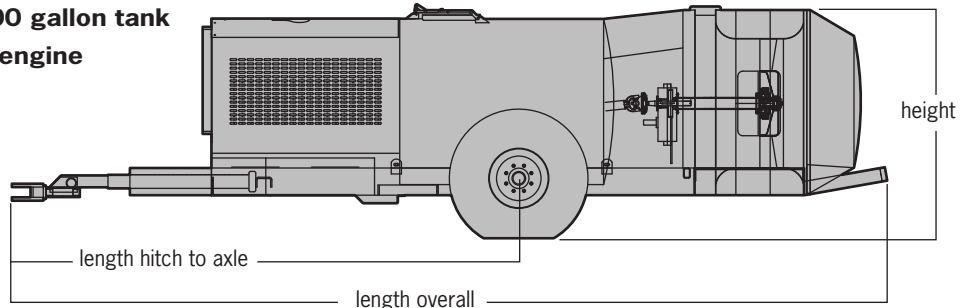
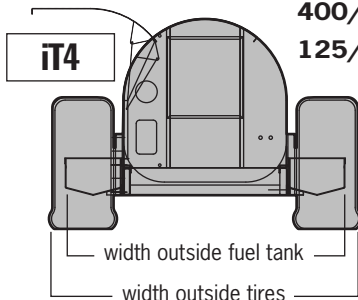
LED work lights with stainless steel brush guards.

Sidewind screw jack.



For more information,  
or the location of your nearest dealer,  
please call **800.547.8925**

## single fan, round tank 400/500/600 gallon tank 125/173HP engine



iT4		FAN PITCH	HEIGHT w/14" ground clearance	LENGTH		FUEL TANK CAPACITY GAL	WIDTH OUTSIDE FUEL TANKS	WIDTH OUTSIDE TIRES				
TANK GAL	ENGINE L/HP			OVERALL	HITCH-AXLE			13.50-16.1	16.5L-16.1 400/55-22.5	21.5L-16.1 550/45-22.5	11.25-24	700/40-22.5
400	4.5/125	27°	71"	243"	133"	50	82.25" std. Narrow tanks available to match outside tire width Call for quote	84"	90"	102"	80"	114"
	4.5/173	30°	71"	245"	133"	50						
500	4.5/125	27°	71"	253"	143"	55						
	4.5/173	30°	71"	255"	143"	55						
600	4.5/125	27°	71"	266"	152"	50						
	4.5/173	30°	71"	268"	152"	65						

Our promotional are printed on recycled paper. Please keep this circle going. Recycle this sheet.



Litho USA

rears manufacturing company

www.rearsmfg.com

**REARS**